

LED Outdoor Luminaires Wall Mount – Motion Sensor & PIR

PLEASE READ THESE INSTRUCTIONS CAREFULLY AND SAVE THEM, AS YOU MAY NEED THEM AT A LATER DATE.

WARNING: Failure to install and wire fixture in accordance with the National Electrical Codes (NEC), all applicable Federal, State and Local electrical codes, as well as Specific U.L. safety standards for the intended working environment (location/ application) may cause serious personal injury, death and/or property damage.

This product must be installed by a person familiar with the construction and operation of the product and the hazards involved. Risk of fire and electrical shock. Most dwellings built before 1985 have supply wires rated 60°C. Consult a qualified electrician before installing. If supply wires are located within 3 inches to the ballast use wires rated at least 90°C.

CAUTION: TURN OFF POWER FROM THE MAIN CIRCUIT BEFORE INSTALLING FIXTURE.

Make sure fixture is grounded per National Electrical Codes (NEC). These fixtures are intended to be mounted to a metal outlet box. The box must be directly supported by the building structure.

Assembly Instructions

Step 1 – Preparing for installation

- Disconnect electrical power at fuse or circuit breaker box before installing or servicing any part of this fixture.
- Carefully remove the fixture from the carton, remove components from hardware kit.
- Remove mounting bracket (1) from the fixture (3) by removing two barrel nuts (4).
- Remove diffuser (5) from the fixture (3) by rotate the locking tabs away from the diffuser then pull out.
- Install mounting bracket (1) to the junction box (not included) using two screws (2) to secure it.

Wiring – All wiring must take place inside junction box (not included)

Caution: Make sure power is off at fuse or circuit breaker box. Check power wires for damage or scrapes. If power supply wires are within three inches of the LED driver, use wire suitable for at least 90°C (194°F).
Note: Most dwellings built before 1985 have supply wire rated to 60°C. Consult a qualified electrician to ensure correct branch circuit conductor before installing.

Step 2 – Wiring fixture

- Make all wire connections to appropriate wire. Secure with wire nuts (provided).
- Connect the green wire from the fixture to the supply power source ground wire.
- For none-dimming fixture.** Connect the white wire from the fixture to the white (N) wire from supply power source. Connect the black fixture wire to the black (L) wire from supply power source.
- For TRIAC dimming.** Connect the white wire from the fixture to the white (N) wire from dimming source per dimmer wiring instructions. Connect the black wire from the fixture to the black (L) wire from dimmer supply power source per dimmer wiring instructions.
- Do not mix wires.** Pull on each wire lead to make sure connections are secure. Make certain no bare wires are exposed outside of wire connectors. Tuck all connections neatly into the junction box.

Step 3 – Mounting

- Align fixture (3) with mounting bracket screws (6) then using two barrel nuts (4) to secure it.

Step 4 – Color Changing Temperature Adjustment, CCT (if desired)

- Adjust CCT switch on front of fixture to the desired color temperature of 2700, 3000K, 3500K, 4000K, or 5000K.

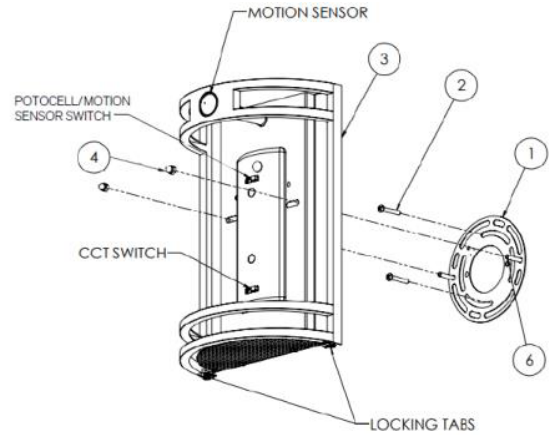
Step 5 – Installing diffuser

- Install diffuser (5) by sliding it through the bottom of the fixture (3) then rotate the locking tabs at the bottom of the fixture to secure it.
- For wet application: Apply a small amount of silicone (not included) per manufacturer's recommendation around the perimeter of the fixture (5) where it contacts with the surface of the wall but not on the bottom.

Step 6 – Restore power at fuse or circuit breaker box

Step 7 – Photocell and motion sensor operation (Fixture is preset to ON for both PC and MS detection)

- PHOTOCELL:** The photocell sensor is integrated with the fixture for dusk to dawn operation. When sunlight is detected, fixture will remain off. When sunlight is not detected, fixture will turn to 20% brightness.
- MOTION SENSOR:** While fixture is at 20% brightness and motion is detected, the fixture will turn to 100% brightness for 90 seconds. While fixture is at 100% brightness and motion is detected, the fixture will remain at 100% brightness for 90 seconds. Note: Detective range is 12 feet, 130 degrees.



View shown for reference only. Individual models may vary.

